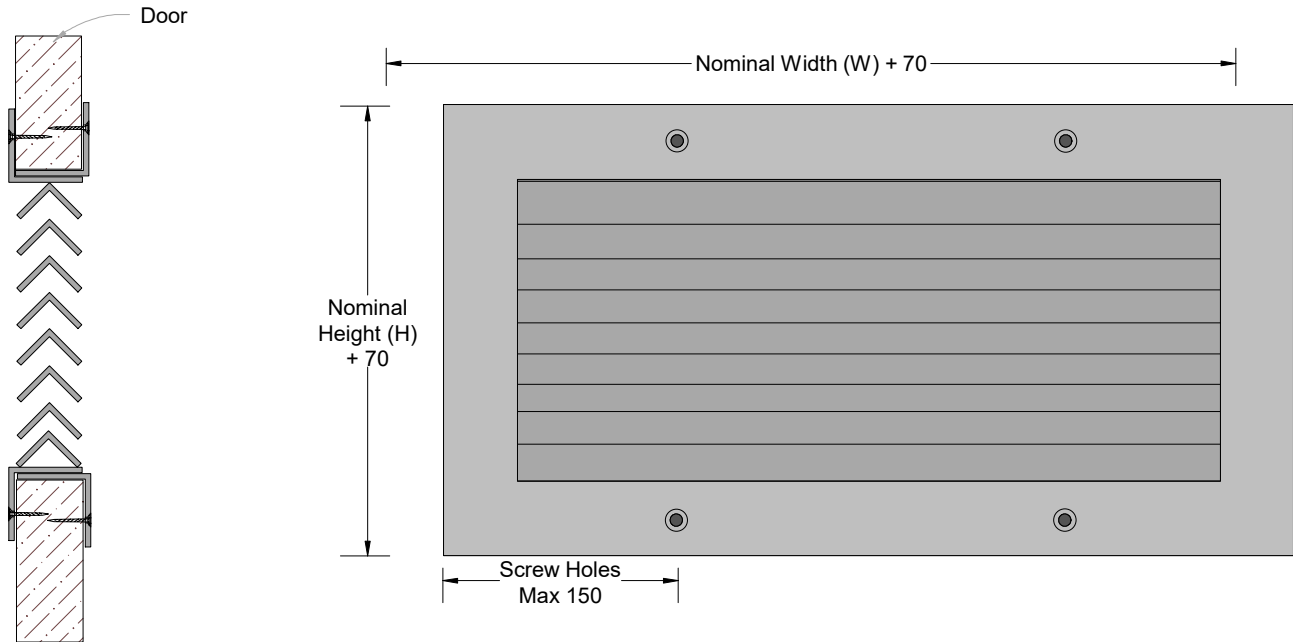


Heavy Duty Door Transfer Grille

Type: DTG-HD



APPLICATION:

The DTG-HD is a Non Vision Transfer Grille which has been specifically designed for use in Doors & Walls where a very robust grille is required. Applications such as car parks, shopping malls, bus or train stations, schools, plant rooms & computer rooms etc. Being manufactured from mild or stainless steel materials with a welded & dressed construction ensures a greater impact and vandal resistance compared to regular aluminium Non Vision Transfer grilles.

SPECIALS:

Due to the flexible manufacturing process it is possible to provide many different blade arrangements in terms of thickness and angle as well as depth for increased strength. Alternative shapes are possible e.g. circular, triangular & hexagonal.

STANDARD:

Our standard construction is of mild steel with a polyester powder coated finish to any B.S. or RAL stock colour.

MATERIALS:

Mild Steel or Stainless Steel.

CONSTRUCTION:

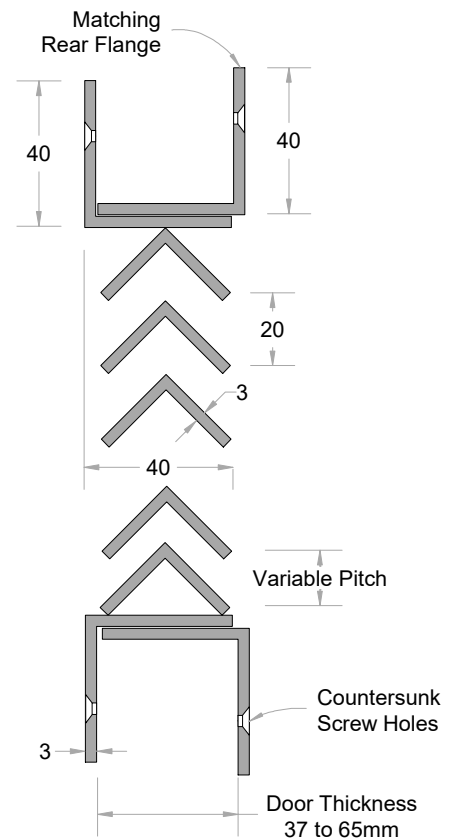
Welded and mitred frame with pressed and welded core. Alternative material thicknesses are available.

FINISH:

Polyester Powder Coated. (for mild steel option)
Galvanized after manufacture.
Mill finish Stainless Steel.
Polished Stainless Steel.

DIMENSIONS:

All dimensions are in mm.
Width and height can be manufactured to any size.
Overall depth can be manufactured to 25, 30, 40 & 50.
The "Pitch" dimension is 20 as standard however can be adjusted to any dimension to suit the clients requirements.



OPTIONS:

Removable & Hinged cores.
Various frame types are available.
Filter frames & Wall sleeves.
Volume control & Fire dampers.
Fire rated & standard plenums.