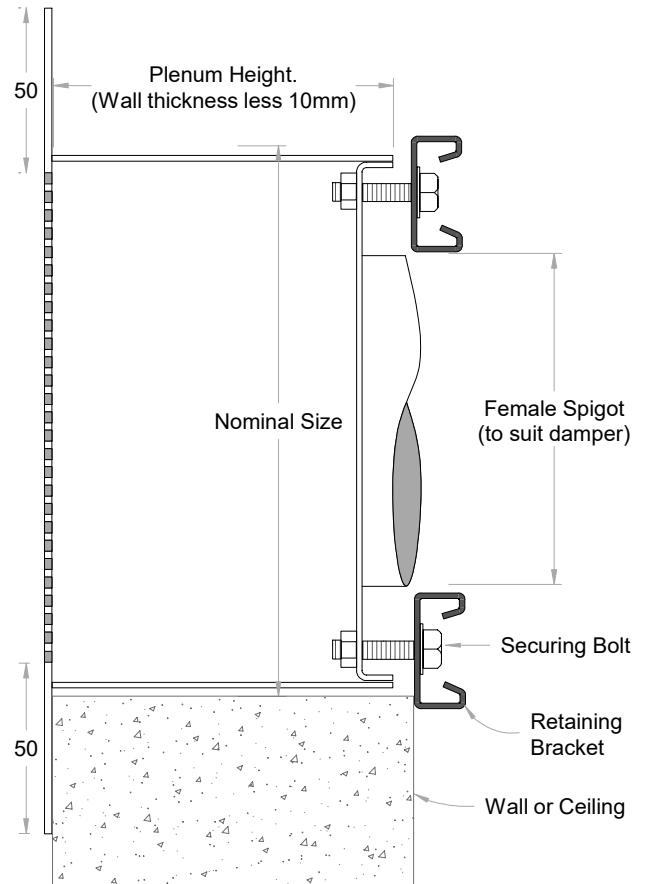
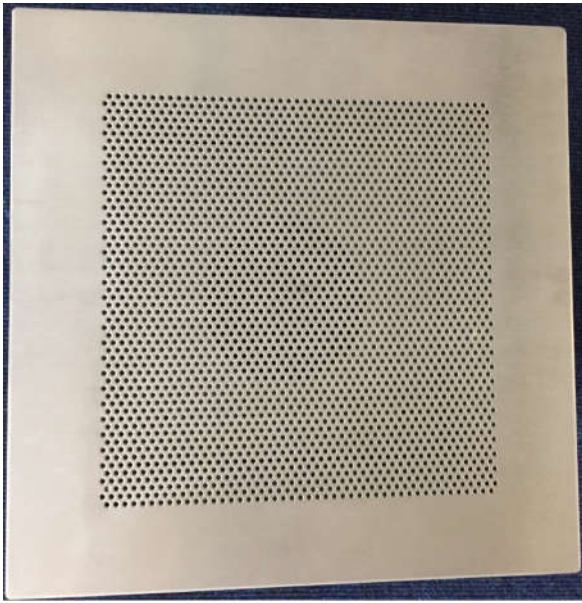


# Prison & Police Cell Grilles Type PCG-SS & PLCG-SS



## APPLICATIONS:

The PCG-SS (Prison Cell Grille) & PLCG-SS (Police Cell Grille) range of Anti-ligature high security grilles have been specifically designed for use in walls & ceilings of prison or police cells and other high security buildings including secure hospitals etc where a robust secure or anti-vandal grille is required. Being manufactured from high quality Stainless Steel sheet material a superior finish is obtainable ensuring longevity for its application.

## SPECIALS:

Due to the flexible manufacturing process it is possible to provide many different arrangements in terms of dimensions, depth and size. Alternative shapes e.g. circular, triangular, hexagonal and materials such as mild steel, brass and aluminium are possible where permitted.

## SPECIFICATION / CONSTRUCTION:

The PCG & PLCG High Security grille face plate shall be constructed from 2mm Stainless Steel 304 grade with a dull polish (brush) finish. The anti-ligature perforation pattern and construction for prison & police cell grilles shall be manufactured in accordance with the Ministry of Justice Prison Service and the requirements of the Home Office Police Custody Design Guide. The rear plenum shall be fire proof and constructed from 1.5mm Zintec mild steel with fully welded and dressed corners. The plenum top incorporating the circular spigot shall be a one piece drawn component clinched or welded to the plenum body to ensure fire integrity and suitability for integral fire / smoke dampers if required. The security face plate shall be welded to the plenum ensuring no visible witness marks on the stainless steel front.

## DIMENSIONS:

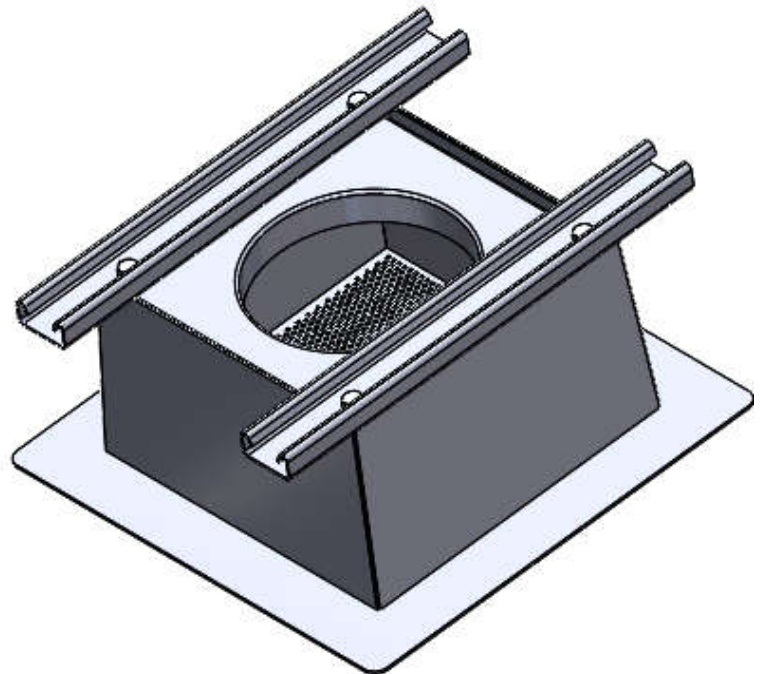
Minimum size is 150 x 150  
Maximum size is 1200 x 1200 (where permitted)

## OPTIONS & ACCESSORIES:

Integrated Fire and or Smoke dampers  
Constant Volume dampers  
Non Return / Back Draft dampers  
Additional security bars welded to frame.  
Building in lugs for use during construction of wall.  
Attenuators designed to minimise noise / cross talk breakout or in.  
Various rear fixing frame types are available.

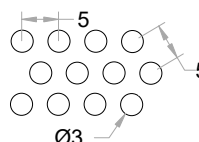
## INSTALLATION:

This model shows an inverted spigot to accommodate a circular damper. The installation is very simple inasmuch as the grille and plenum all being one is introduced from the secure side and the retaining brackets are bolted to the plenum body via the integral captive nuts. This process clamps the wall tightly between the grille face plate and the retaining brackets from the accessible service void adjacent to the cell. NOTE: It is important to ensure that the plenum is at least 10mm smaller than the depth of the wall or ceiling to ensure a secure clamp on the wall.



## PERFORATION DETAILS:

Prison Cell Grilles



Police Cell Grilles

