



AIR PURIFICATION UNITS TYPE APU-K1 & APU-K2



TECHNICAL SPECIFICATION FOR MODELS APU-K1 & APU-K2

3 & 6 tube variants of the Ozone generators are capable of handling between 1.25 and 2.5 m³/s (APU-K1 & APU-K2 respectively) of smoke and cooking odour ranging from griddle type flash flame and smoke laden air to virtually eliminating odours and smoke. More intense or odour emitting cooking processes may require multiple units depending on moisture and heat content.

H.T. Corona discharge insulated generator units.
Non-powered, negative pressure flow delivery.

ELECTRICAL CONSUMPTION

230volt 50 Hz single phase electrical supply, 0.8 & 1.6 Amp (respectively).

CONSTRUCTION

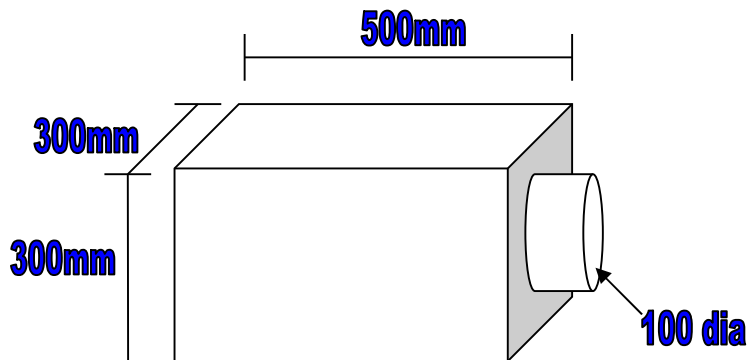
Chassis mounted generator with vertically hung tubes and stainless steel baffles with non earthing operation.

Outer casing: Polyester powder coated mild steel sheet with a secure sealed access panel.
A standard 100mm dia outlet spigot provides a connection to the suction side of the ventilation system to be treated.

An impulse tube is fitted to provide pressure confirmation to the sensing device for fail-safe operation of the unit.

NOTE: There are no user serviceable components contained within the enclosure. Removal of the access panel and security strip voids warranty and can lead to exposure to high voltage electricity and personal injury.

DIMENSIONS & WEIGHTS OF APU-K1 & APU-K2



APU-K1 14.2 Kg

APU-K2 17.5 Kg

MOUNTING & INSTALLATION

The unit is suitable for mounting in either the vertical or horizontal position. Using either cradle or chassis mounted (vertical application only) bracketry.

Suspension rod and bolts to suit application.

Units are supplied pre-wired with 1500mm of standard flex incorporating a 3 amp 3pin plug for connection to a local electrical supply. This needs to be a double pole switched socket, provided by others.

One socket per unit will be required.

The electrical circuit supplying the appliance shall be protected by an M.C.B. device to the correct rating for this appliance.

APPLICATIONS

The models APU-K1 & APU-K2 are especially suited to ducted applications with the unit working under a negative pressure.

In this application these units are particularly effective when dealing with smoke and odor emitted from cooking processes that can cause health and hygiene or environmental officers' cause for concern.

The units generate Ozone which in turn oxidizes the V.O.C's (odour) which are present forming the smoke particles from the cooking processes associated with food production in grills and restaurants.

For larger applications modular configurations can be used to achieve even greater outputs and air treatment capability. The modular approach enables greater control to reflect process preparation diversity and equipment locations.

Similarly these units can be provided in a powered variant (APU-K1 & APU-K2) for ducting to refuse bins to protect against germs and odours from discarded food and preparation materials.

In addition to the ability of Ozone to handle smoke and odour these units can eliminate in excess of 80% airborne bacteria and borne fungi making these units a very powerful partner in the fight against the strains of bacteria and fungi that can lead to food poisoning.

Due to the construction and requirements of the unit to function in an environmentally safe condition these units **MUST** be commissioned and serviced by an approved SVS Ltd. service engineer.

CONTROLS

The control for this unit is via an air pressure sensing device that inhibits the unit operation in the event of fan failure or lack of air flow across the unit.

The setting for the unit is determined at commissioning and should not be adjusted. A standard on off dual pole isolating switch (illuminated) is provided to enable local isolation of the appliance.

SIGHTING THE UNIT

The unit should be sited internally and ducted to the suction side of the main exhaust fan, connecting as near as possible to the canopy exhaust connection.

Discharge from the exhaust should be a minimum of 2500mm above ground level or as dictated by the local authority standards or H.S.E. requirements.

COMMISSIONING

Upon completion of the electrical testing, physical appliance installation and connection to the ductwork system the unit must be fully commissioned and set to work by our commissioning engineer(s) and a commissioning report issued prior to use of this appliance.

Under no circumstances should the appliance be switched on or used until it has been fully commissioned and set to work.

Failure to have the unit (s) fully commissioned could result in damage to the appliance and potential unacceptable levels of Ozone discharge.

COMMISSIONING of the appliance can be arranged by calling: - 01207 529333.

MAINTENANCE

The maintenance of the units should be undertaken by a trained service engineer.

The only user serviceable components are the filter located at the intake of the appliance. Due to the various installation conditions and quality of intake air, only frequent inspection in the early running stages of the appliance will enable an accurate estimate of the lifespan of the filter.

Filters should be replaced when discolouration of the material becomes evident.

FOR REPLACEMENT FILTERS call 01207 529333.

NOTE:

There are no user serviceable components contained within the enclosure. Removal of the access panel and security strip voids warranty and can lead to exposure to high voltage electricity and personal injury.