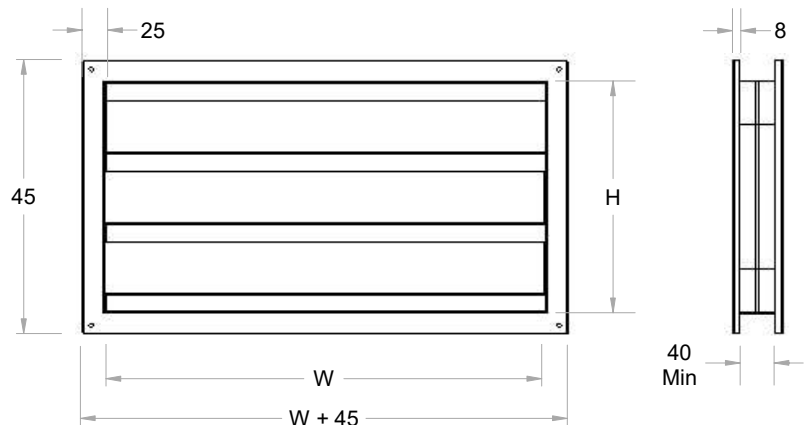


Acoustic Transfer Grille

Type: ATG-SS



ATG-SS Front Grille



Application

The ATG-SS is a Stainless Steel Acoustic Non Vision Grille with a formed core consisting of an integral series of acoustic blades. It has been specifically designed for use in doors, walls or ceilings where conventional aluminium or mild steel products are not desirable either for hygiene, corrosion resistancy or perhaps just simply for quality & aesthetic reasons. This product by nature of the manufacturing process remains robust and resistant to many chemicals & cleaning fluids etc. Applications such as Laboratories, hospitals, pharmaceutical and industrial premises as well as wide range of marine facilities.

Specials

Due to the flexible manufacturing process it is possible to provide many different core configurations in terms of size and material thickness as well as depth for increased strength.

Standard

Our standard construction is of 304 grade Stainless Steel with a Brush finish known as Dull Polish (DP1). The blade length can vary from 150mm to 1000mm as standard.

Dimensions

All dimensions are in mm.

Minimum size 200 x 185

Maximum size 1250 x 1250 (Single section)

Larger sizes can be manufactured however they may need to be in sections or have strengthened frames or mullions.

The "Pitch" dimension is 80mm as standard however can be adjusted to any dimension to suit the clients requirements.

This may however effect the air handling performance.

Materials

Stainless Steel 304 or 316 DP1 marine grade with a minimum thickness of 1mm depending on grille dimensions.

Construction

Pressed formed frame & border with a Linear blade core providing added rigidity to this robust grille.

Alternative materials and thicknesses are available.

Alternative Finish

Polyester Powder Coated. (for mild steel or Aluminum option)

Mill finish Stainless Steel.

Mirror finish Stainless Steel.

Polished Brass.

Options (Wall or Ceiling Mount Only)

Intumescent Fire Damper (IFD)

Various frame types & Concealed fixings are available.

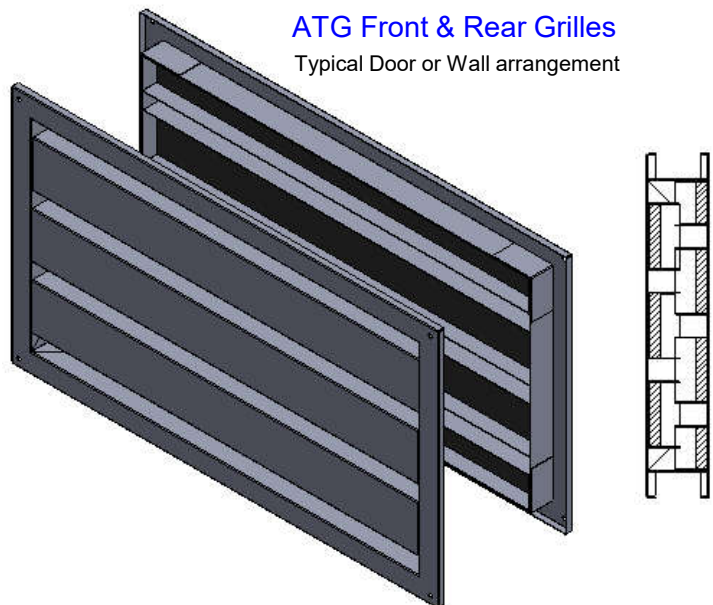
Filters & Filter frames to the rear.

Volume control & Fire dampers.

Wall Sleeves, Fire rated or standard

ATG Front & Rear Grilles

Typical Door or Wall arrangement



Standard Dimensions with 25mm Flange

H	Cut out	H + 45	Slots	W	Cut out	W + 45
185	190	230	3	200	205	245
265	270	310	4	300	305	345
345	350	390	5	400	405	445
425	430	470	6	500	505	545
505	510	550	7	600	605	645
585	590	630	8	700	705	745
665	670	710	9	800	805	845

Freq (Hz)	125	250	500	1K	2K	4K	8K
SWL (dB)	32	35	34	31	21	15	

Specification

The flanged frame is to be manufactured from 1mm thick Dull Polished Stainless Steel sheet press formed from a single section of material to give a complete jointless corner on the face.

The core is to have a minimum 25% free area and formed from matching material of the frame.

The grain of the brush finish of the core is to be constant without blemish. The core if removable is to be securely fixed to the frame using stainless steel countersunk machine screws.

Screw Holes (countersunk or flat) shall be specified if required.

The Stainless Steel Grade shall also be specified i.e. 304 or 316 etc.